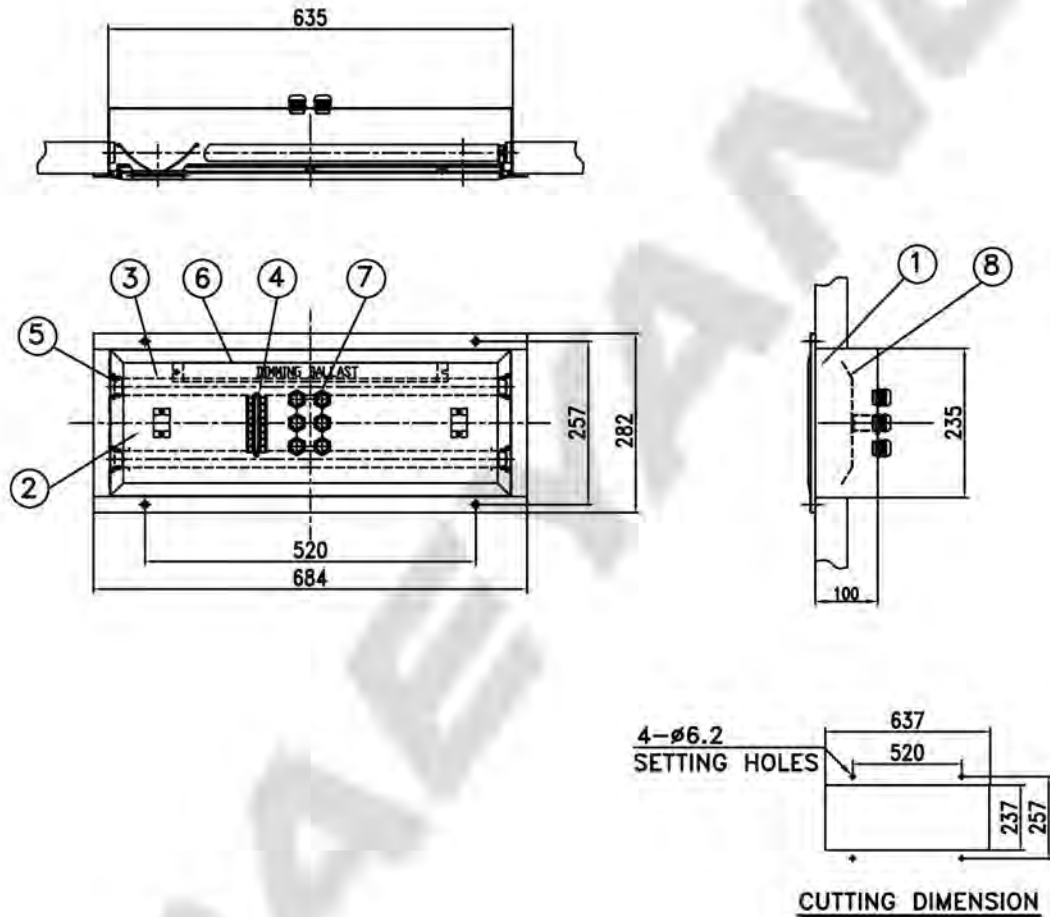


CAPACITY	SYMBOL / SERIAL NO.	CIRCUIT DIAGRAM
AC 230V, 50Hz		
18W x 2		



8	REFLECTOR	STEEL	1		4	TERMINAL BLOCK	NYLON	1	CLAMPING BP (2.5SQ)
7	CABLE GLAND(M25)	BRASS	6	$\phi 9 \sim \phi 17$	3	FL. LAMP	-	2	
6	DIMMING BALLAST	-	1		2	GLOBE	POLYCAR-BONATE	1	
5	LAMP HOLDER	POLYCAR-BONATE	4		1	BODY	STEEL	1	
NO	NAME OF PARTS	MATERIAL	Q'TY	REMARKS	NO	NAME OF PARTS	MATERIAL	Q'TY	REMARKS

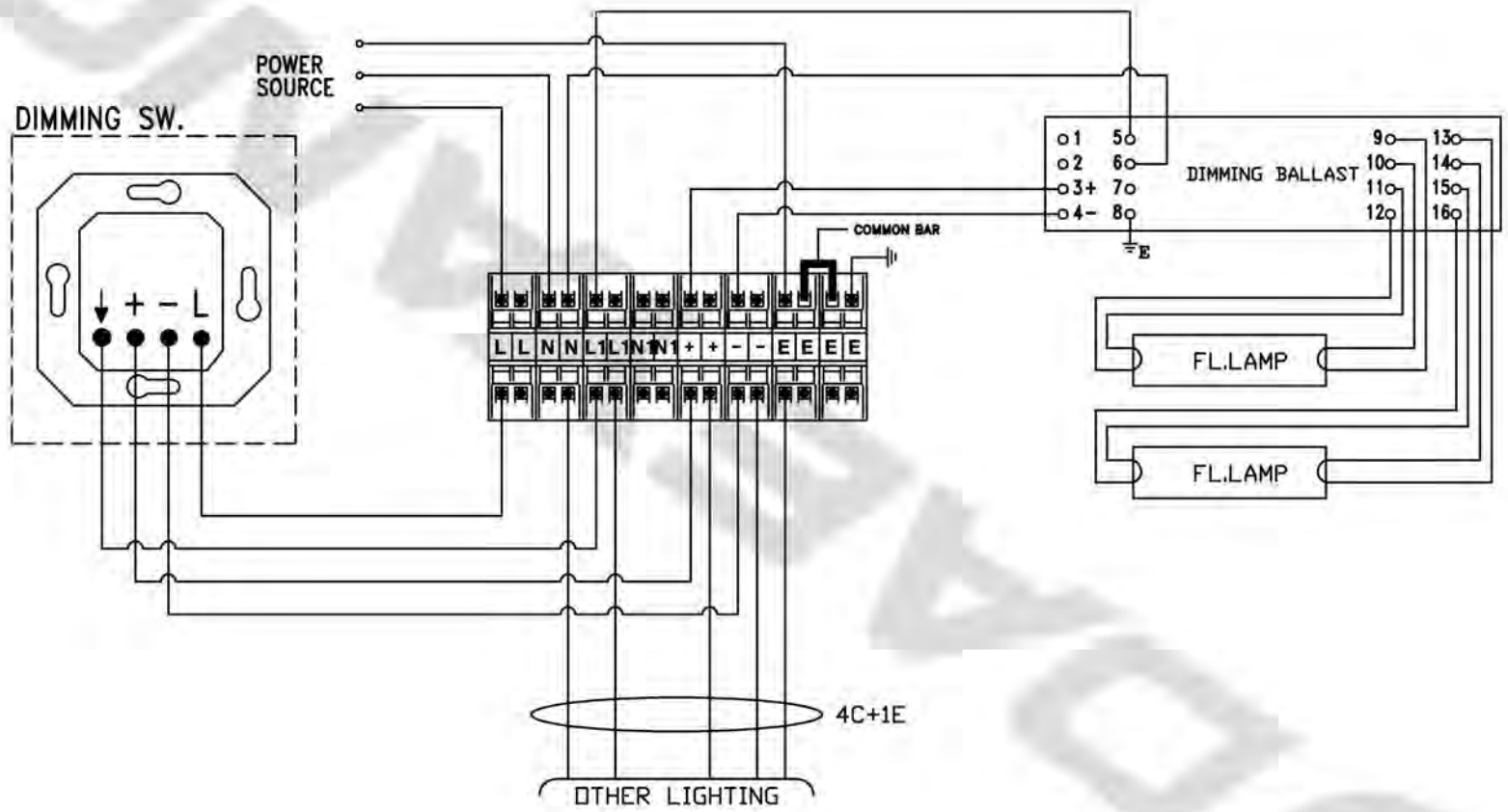
APPROVED	B. K. KIM	UNIT	MM
CHECKED	J. W. PARK	SCALE	N/S
DRAWING	H. S. SHIN	COLOR	N-9.3
DATE	2016.02.01	IP	44

TITLE; FLUORESCENT CEILING LIGHT
(NO-GAP, FLUSH TYPE)
(DIMMING CONTROL)
FOR MARINE USE

DAEYANG

MODEL NO.	FL220WF-0235EISND-A(R25M)	WEIGHT	5.7 Kg
DWG NO.	L11350264	SHEET NO.	7

NO	CONTENT	DATE	REVISER	APPROVAL
△				
△				
△				



TITLE: FL220WF-0235EISND-A(R25M)				SCALE	1/1	UNIT	MM	NO.	REVISED
Connection Diagram				PROJECT METHOD	⊕	WEIGHT	KG	△	
				APPROVED	B. K. KIM			△	
				CHECKED	J. W. PARK			△	
				DRAWN	H. S. SHIN			△	
				DATE	2016. 02. 01			MATERIAL	ASS'Y
								DWG NO.	
								SHEET NO.	7-A